

BREWHOUSE OPTIONS

ORIENTATION:

- MASH LEFT/KETTLE RIGHT
- MASH RIGHT/KETTLE LEFT

MASH SIDE MANWAY LOCATION:

- OPTION 1: Straight out side
- OPTION 2: Angled 45°

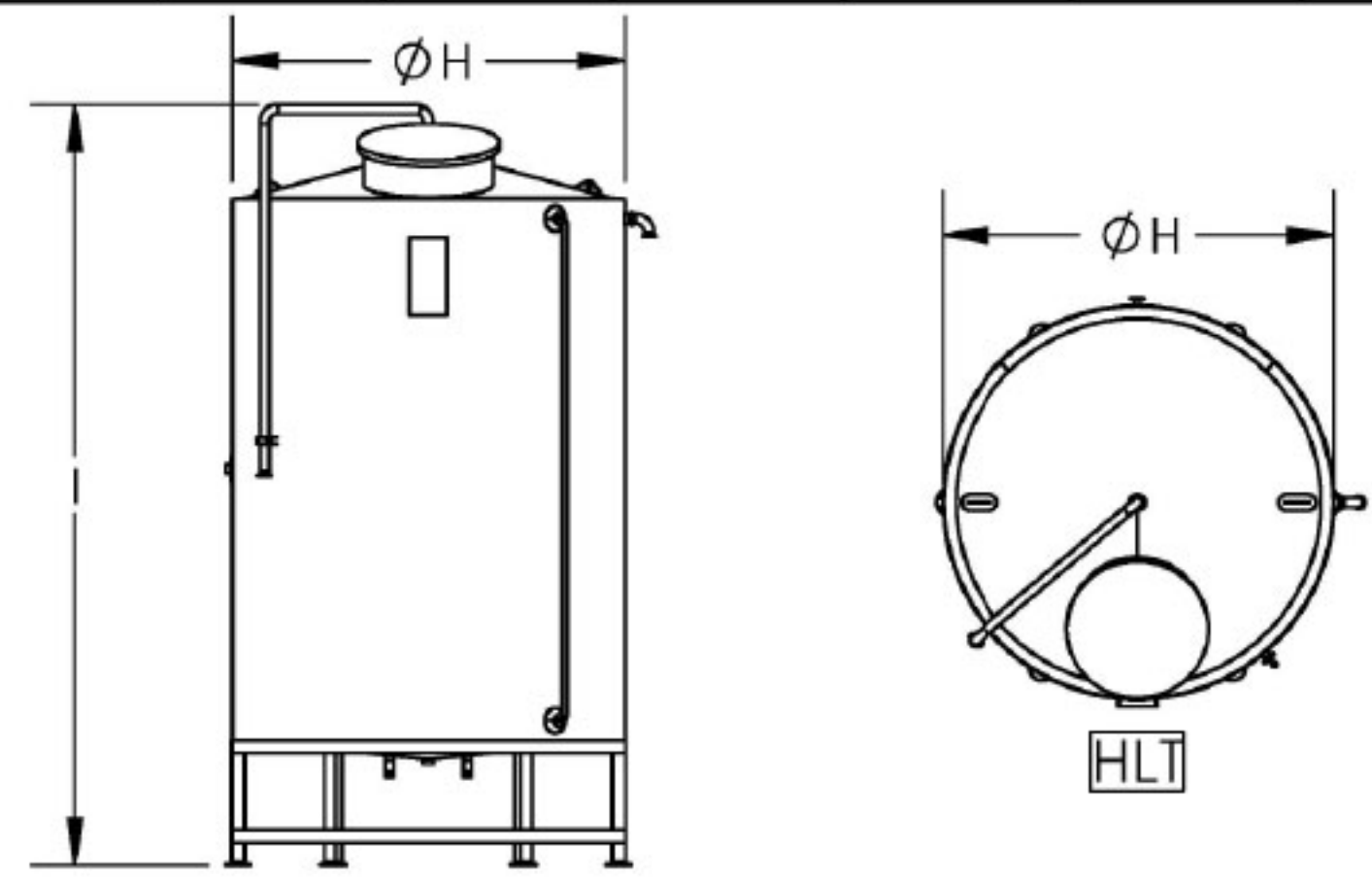
HEAT SOURCE (TO BOILER):

- OPTION 1: Natural Gas
- OPTION 2: Propane

Steam Brewhouse Size	Capacity (gal)		Dimensions (inches)						
	Mash Tun	Boil Kettle	A	B	C	D(approx)	E (approx)	F (approx)	G (approx)
5	259	345	50	36	50	88	139	80	43
7	345	432	50	48	50	100	139	84.5	52
10	441	552	64	36	56	102	159	86	52
15	588	881	64	48	64	114	167	96	61
20	994	933	79	52	68	111	188	98.5	61
30	1147	1377	79	60	79	117	194	98.5	61

System Weights	5 BBL (10 BBL HLT)	7 BBL (15 BBL HLT)	10 BBL (20 BBL HLT)	15 BBL (30 BBL HLT)	20 BBL (40 BBL HLT)	30 BBL (60 BBL HLT)
Empty (lbs)	3472	3635	4233	5153	6344	7500
Live (lbs)*	8742	12135	14773	21303	27424	33850

*Live assumes Mash/Kettle/HLT all full to capacity (all weights are approximate)



Steam HLT Size	HLT Capacity (gal)	Dimensions (inches)	
		H	I (approx)
10	316	48	78
15	474	48	102
20	620	54	106
30	936	61	118
40	1321	64	142
60	1903	76	144

BREWERY NAME: _____

- Approved
- Approved with Revisions
- Not Approved

Customer Signature _____ Printed Name _____ Date _____

Office: 503-236-4500
 Fax: 503-236-4513
 Main Contact: 503-314-7134 (Joe W)

Main Contact: Joe@Portlandkettleworks.com
 Design: Maggie@PortlandKettleWorks.com
 Manufacturing: Patrick@PortlandKettleWorks.com

www.PortlandKettleWorks.Com